

CALIFORNIA COASTAL COMMISSION

South Coast Area Office
200 Oceangate, Suite 1000
Long Beach, CA 90802-4302
(562) 590-5071

Permit Application No. **5-08-044**

March 20, 2008

Page 1 of 5

**W3a****ADMINISTRATIVE PERMIT****APPLICANTS:** Allan & Nancy Stratford**PROJECT DESCRIPTION:** Replace existing 6'x 28' boat dock with new 6'x 28' floating dock with new 3'x 4' landing and gangway using new davits on the vertical seawall. No new piles.**LOCATION:** 63 Rivo Alto Canal, Naples Island, City of Long Beach, Los Angeles County.**EXECUTIVE DIRECTOR'S DETERMINATION:** The findings for this determination, and for any special conditions, appear on subsequent pages.

NOTE: P.R.C. Section 30624 provides that this permit shall not become effective until it is reported to the Commission at its next meeting. If one-third or more of the appointed membership of the Commission so request, the application will be removed from the administrative calendar and set for public hearing at a subsequent Commission meeting. Our office will notify you if such removal occurs.

This permit will be reported to the Commission at the following time and place:

Wednesday, April 9, 2008, 9:00 a.m.
Santa Barbara County Board of Supervisors Chamber
105 E. Anapamu Street
Santa Barbara, CA

IMPORTANT - Before you may proceed with development, the following must occur:

Pursuant to 14 Cal. Admin. Code Sections 13150(b) and 13158, you must sign the enclosed duplicate copy acknowledging the permit's receipt and accepting its contents, including all conditions, and return it to our office. Following the Commission's meeting, and once we have received the signed acknowledgement and evidence of compliance with all special conditions, we will send you a Notice of Administrative Permit Effectiveness.

BEFORE YOU CAN OBTAIN ANY LOCAL PERMITS AND PROCEED WITH DEVELOPMENT, YOU MUST HAVE RECEIVED BOTH YOUR ADMINISTRATIVE PERMIT AND THE NOTICE OF PERMIT EFFECTIVENESS FROM THIS OFFICE.

PETER DOUGLAS
Executive Director

By: Charles R. Posner
Title: Coastal Program Analyst

STANDARD CONDITIONS:

1. Notice of Receipt and Acknowledgment. The permit is not valid and development shall not commence until a copy of the permit, signed by the permittee or authorized agent, acknowledging receipt of the permit and acceptance of the terms and conditions, is returned to the Commission office.
2. Expiration. If development has not commenced, the permit will expire two years from the date this permit is reported to the Commission. Development shall be pursued in a diligent manner and completed in a reasonable period of time. Application for extension of the permit must be made prior to the expiration date.
3. Interpretation. Any questions of intent or interpretation of any term or condition will be resolved by the Executive Director or the Commission.
4. Assignment. The permit may be assigned to any qualified person, provided assignee files with the Commission an affidavit accepting all terms and conditions of the permit.
5. Terms and Conditions Run with the Land. These terms and conditions shall be perpetual, and it is the intention of the Commission and the permittee to bind all future owners and possessors of the subject property to the terms and conditions.

SPECIAL CONDITIONS: See Page Four.

EXECUTIVE DIRECTOR'S DETERMINATION (continued):

The Executive Director hereby determines that the proposed development is a category of development which, pursuant to PRC Section 30624, qualifies for approval by the Executive Director through the issuance of an Administrative Permit. Subject to Standard and Special Conditions as attached, said development is in conformity with the provisions of Chapter 3 of the Coastal Act of 1976 and will not have any significant impacts on the environment within the meaning of the California Environmental Quality Act. If located between the nearest public road and the sea, this development is in conformity with the public access and public recreation policies of Chapter 3.

FINDINGS FOR EXECUTIVE DIRECTOR'S DETERMINATION:

A. Project Description

The proposed project involves the replacement of a private residential boat dock at Naples Island in southeast Long Beach (Exhibit #2). The proposed floating dock is 28 feet long and six feet wide, the same size as the dock being replaced (Exhibit #4). No piles are necessary as the dock will be attached to two new pipe davits that will hang from the vertical seawall. Access between the new dock and the public walkway that runs along Rivo Alto Canal will be provided by a new 30"x 18' gangway attached to a new 3'x 4' platform and new concrete steps built over the top of the existing vertical seawall (Exhibit #4). The existing ladder attached to the face of the canal's seawall will be removed.

The proposed project is in Rivo Alto Canal, situated between the canal's vertical seawall and the City Pierhead Line (Exhibit #4). The proposed dock is associated with the adjacent single-family residence and is for boating recreation purposes. The proposed project will not interfere with the public accessway that exists immediately inland of the seawall in this location. Eelgrass beds will not be disturbed by the proposed project as no disturbance of the canal bottom is proposed or permitted. Also, the National Marine Fisheries Service has found that eelgrass is not usually found within dock areas situated directly adjacent to the Naples Island seawalls with no inter-tidal beach zones (like this site). The proposed project has received an "Approval in Concept" stamp from the City of Long Beach Planning Department and the City of Long Beach Marine Bureau. The applicant is in the process of obtaining a permit from the U.S. Army Corps of Engineers.

B. Recreational Marine Resources

The proposed recreational boat dock development and its associated structures do not result in the fill of coastal waters and are an allowable and encouraged marine related use. The proposed dock work will not have any significant adverse effect on sensitive marine resources, such as eelgrass. Therefore, the Commission finds that the proposed development, which is to be used solely for recreational boating purposes, conforms with Section 30224 of the Coastal Act.

C. Water Quality

The proposed dock work will be occurring on or within coastal waters. The storage or placement of construction material, debris, or waste in a location where it could be discharged into coastal waters would result in an adverse effect on the marine environment. To reduce the potential for construction related impacts on water quality, the Commission imposes special conditions requiring, but not limited to, the appropriate storage and handling of construction equipment and materials to minimize the potential of pollutants to enter coastal waters and for the use of on-going best management practices following construction. As conditioned, the Commission finds that the development conforms with Sections 30230 and 30231 of the Coastal Act.

D. Public Access

As conditioned, the proposed development will not have any new adverse impact on public access to the coast or to nearby recreational facilities. Thus, as conditioned, the proposed development conforms with Sections 30210 through 30214, Sections 30220 through 30224, and 30252 of the Coastal Act.

E. Local Coastal Program

A coastal development permit is required from the Commission for the proposed development because it is located within the Commission's area of original jurisdiction. The Commission's standard of review for the proposed development is the Chapter 3 policies of the Coastal Act. The City of Long Beach certified LCP is advisory in nature and may provide guidance. The Commission certified the City of Long Beach LCP on July 22, 1980. As conditioned, the proposed development is consistent with Chapter 3 of the Coastal Act and with the certified LCP for the area.

F. California Environmental Quality Act (CEQA)

As conditioned, there are no feasible alternatives or feasible mitigation measures available which would substantially lessen any significant adverse effect which the activity may have on the environment. Therefore, the Commission finds that the proposed project, as conditioned to mitigate the identified impacts, is the least environmentally damaging feasible alternative and can be found consistent with the requirements of the Coastal Act to conform to CEQA.

SPECIAL CONDITIONS:

1. Permit Compliance

The permitted use of the approved development is for boating related uses only. All development must occur in strict compliance with the proposal as set forth in the application for permit, subject to any special conditions. Any deviation from the approved plans must be submitted for review by the Executive Director to determine whether an amendment to this coastal development permit is required.

2. Construction Responsibilities and Debris Removal

- a) No construction materials, equipment, debris, or waste will be placed or stored where it may be subject to wave, wind, or rain erosion and dispersion.
- b) Any and all construction material shall be removed from the site within ten days of completion of construction and disposed of at an appropriate location.
- c) Machinery or construction materials not essential for project improvements are prohibited at all times in the subtidal or intertidal zones.
- d) If any disturbance of the bottom occurs during construction, a silt curtain will be utilized to control turbidity.
- e) Floating booms will be used to contain debris discharged into coastal waters and any debris discharged will be removed as soon as possible but no later than the end of each day.
- f) Divers will recover non-buoyant debris discharged into coastal waters as soon as possible after loss.

3. Best Management Practices (BMP) Program

By acceptance of this permit, the applicant agrees that the long-term water-borne berthing of boat(s) in the approved dock and/or boat slip will be managed in a manner that protects water quality pursuant to the implementation of the following BMPs.

- a) Boat Cleaning and Maintenance Measures:
 1. In-water top-side and bottom-side boat cleaning shall minimize the discharge of soaps, paints and debris.
 2. In-the-water hull scraping or any process that occurs under water that results in the removal of paint from boat hulls is prohibited. Only detergents and cleaning components that are designated by the manufacturer as

phosphate-free and biodegradable shall be used, and only minimal amounts shall be used.

3. The applicant shall minimize the use of detergents and boat cleaning and maintenance products containing ammonia, sodium hypochlorite, chlorinated solvents, petroleum distillates or lye.

b) Solid and Liquid Waste Management Measures:

All trash, recyclables, and hazardous wastes or potential water contaminants, including old gasoline or gasoline with water, absorbent materials, oily rags, lead acid batteries, anti-freeze, waste diesel, kerosene and mineral spirits shall be disposed of in a proper manner and shall not at any time be disposed of in the water or gutter.

c) Petroleum Control Management Measures:

Oil absorbent materials should be examined at least once a year and replaced as necessary. The applicant shall recycle the materials, if possible, or dispose of them in accordance with hazardous waste disposal regulations. The boaters are encouraged to regularly inspect and maintain engines, seals, gaskets, lines and hoses in order to prevent oil and fuel spills. Boaters are also encouraged to use preventive engine maintenance, oil absorbents, bilge pump-out services, or steam cleaning services as much as possible to clean oily bilge areas. Clean and maintain bilges. Do not use detergents while cleaning. The use of soaps that can be discharged by bilge pumps is discouraged.

4. Public Access along the Waterway

The proposed project shall not interfere with public access and use of the public walkway that runs along Rivo Alto Canal.

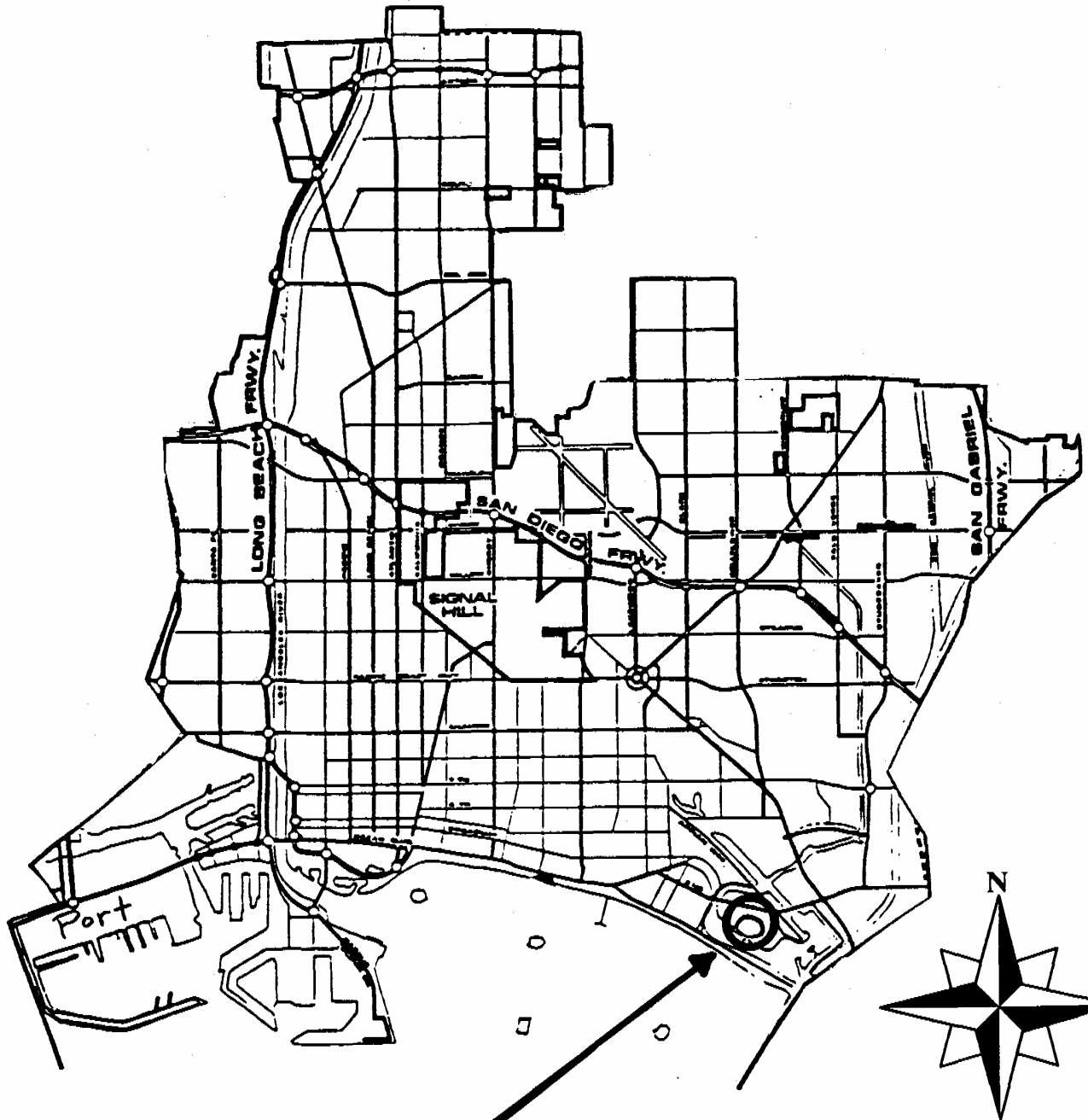
ACKNOWLEDGMENT OF PERMIT RECEIPT/ACCEPTANCE OF CONTENTS:

I/We acknowledge that I/we have received a copy of this permit and have accepted its contents including all conditions.

Applicant's Signature

Date of Signing

City of Long Beach



Naples Island

COASTAL COMMISSION

5-08-044

EXHIBIT # 1

PAGE 1 OF 1



LONG BEACH
OUTER HARBOR

ISLAND
CHAFFEE

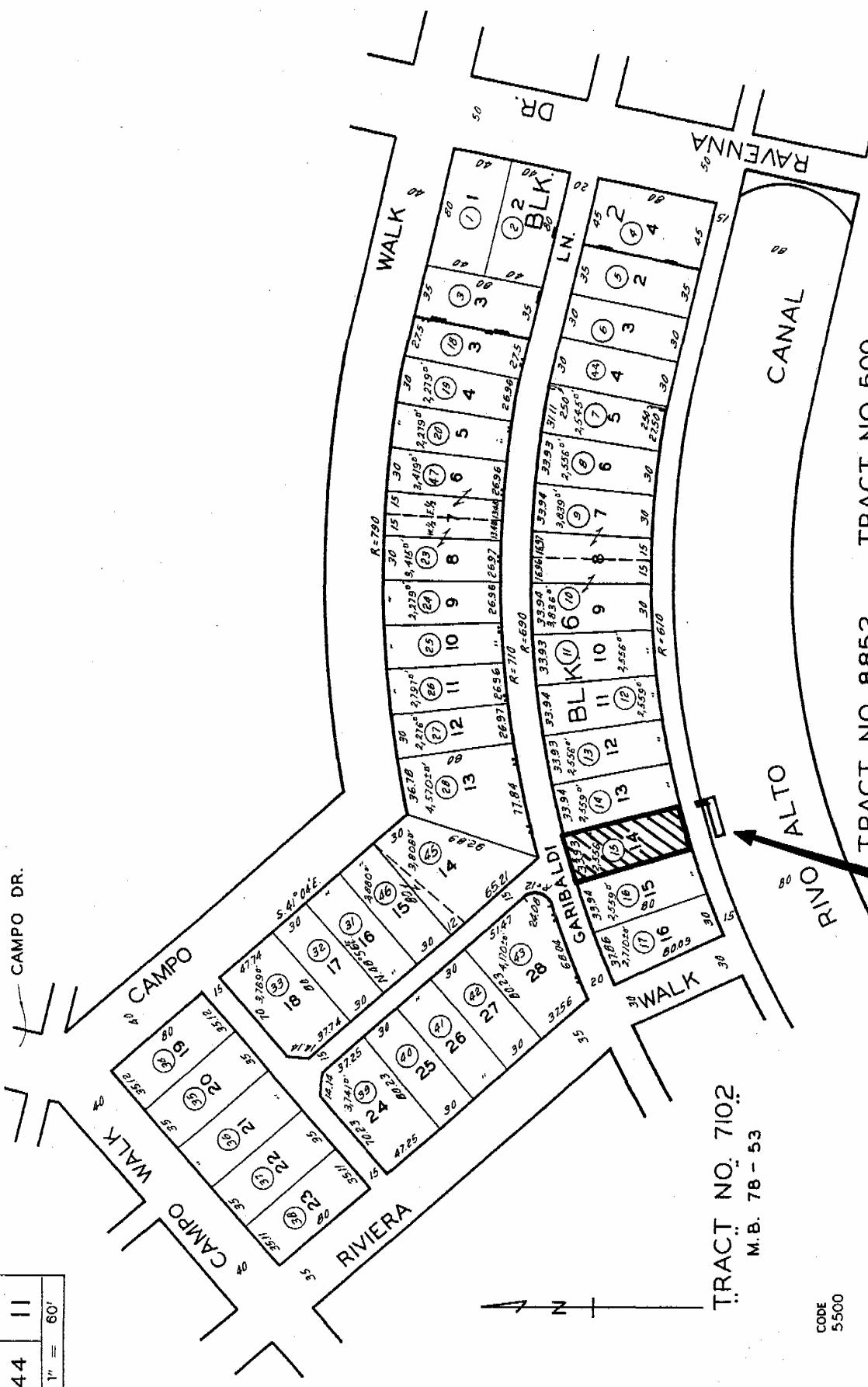
PACIFIC



Site: 63 Rivo Alto Canal

COASTAL COMMISSION
5-08-044
EXHIBIT # 2
PAGE 1 OF 1

7244 ||
SCALE 1" = 60'



TRACT NO. 7102
M.B. 78 - 53

CODE
5500

TRACT NO. 8852
M.B. 116-47-48

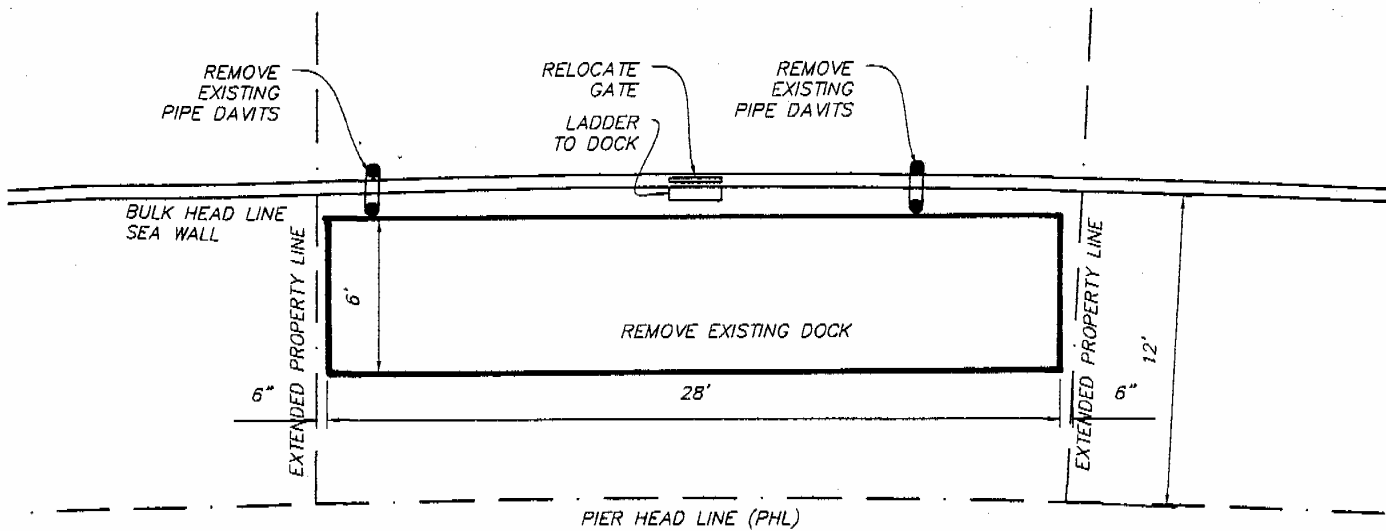
TRACT NO. 500
M.B. 14-186-187

COASTAL COMMISSION
5-08-044

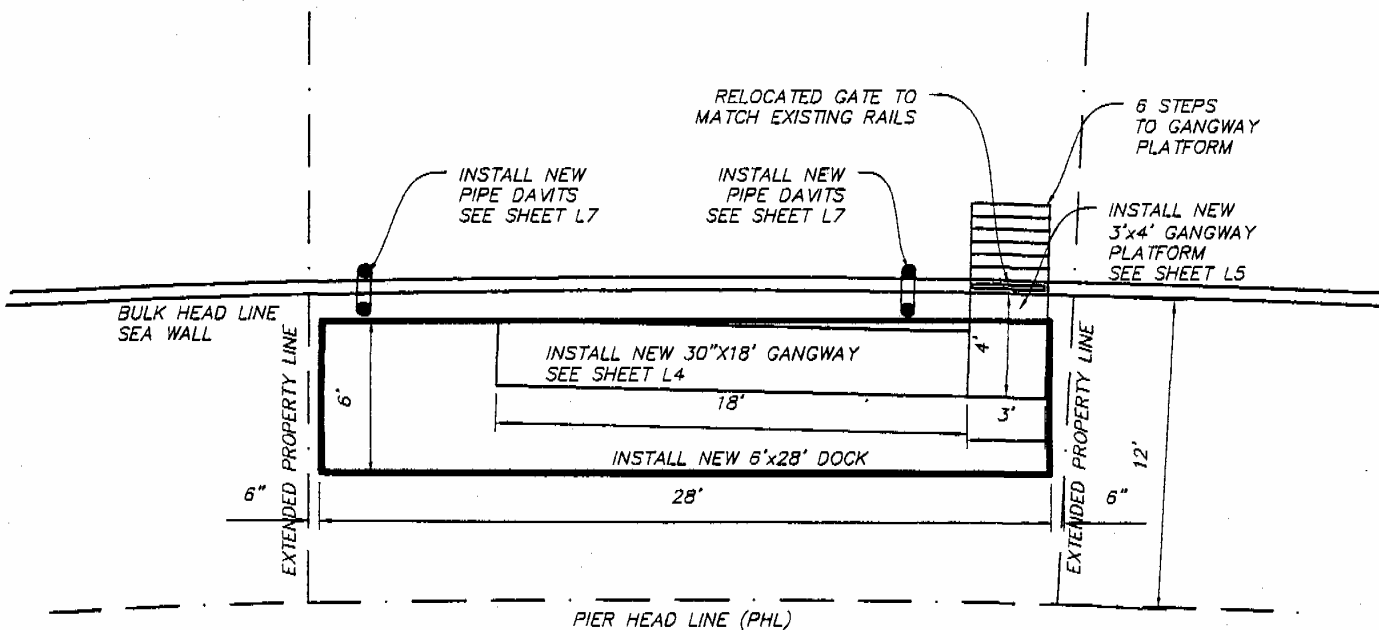
EXHIBIT # 3
PAGE 1 OF 1

Site: 63 Rivo Alto Canal

FOR PREV. ASSMT. SEE: 149-12 & 29



EXISTING DOCK LAYOUT



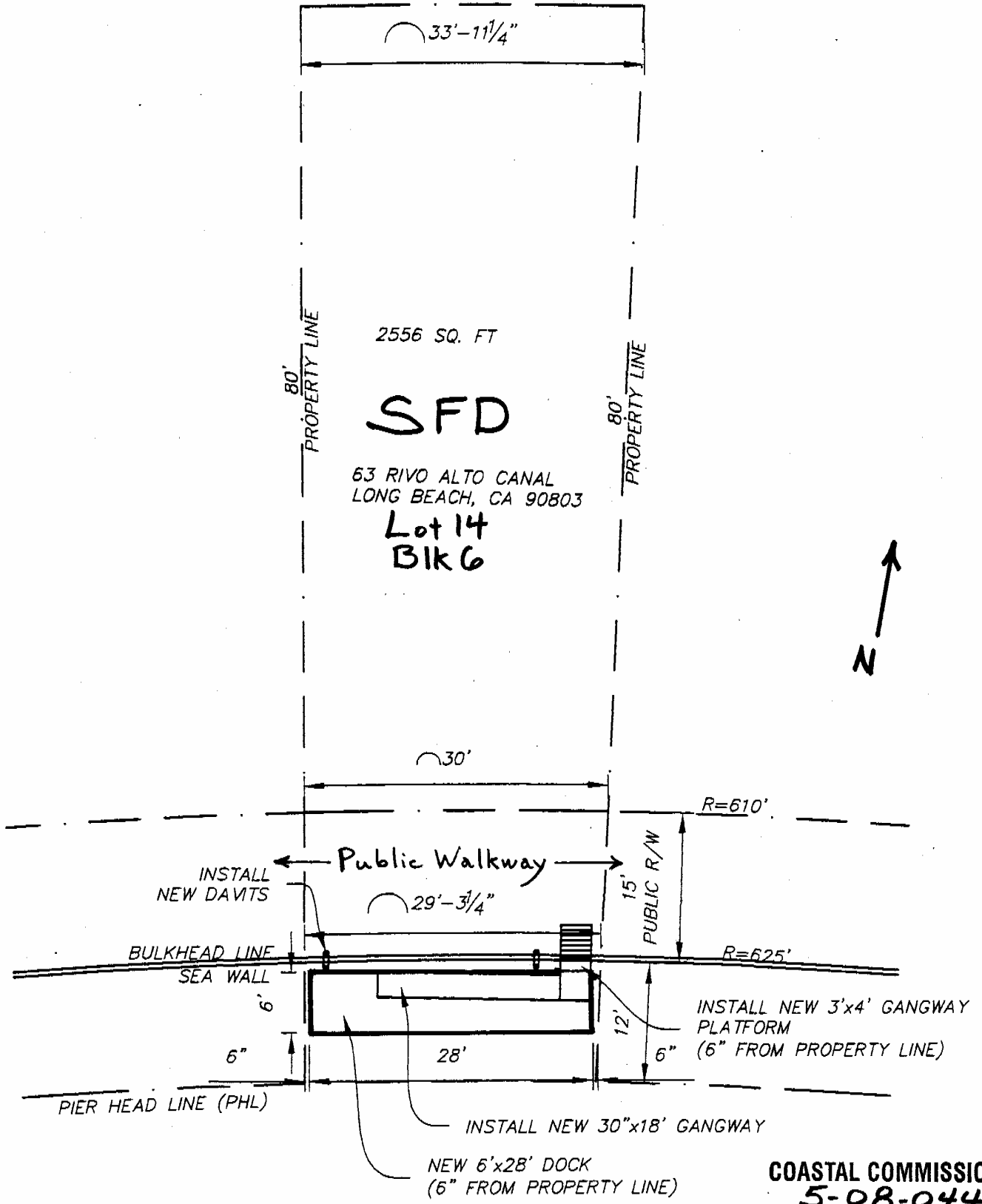
NEW DOCK LAYOUT

COASTAL COMMISSION

5-08-044

EXHIBIT # 4

PAGE 1 OF 1



Rivo Alto Canal

COASTAL COMMISSION
5-08-044
 EXHIBIT # 5
 PAGE 1 OF 1