

CALIFORNIA COASTAL COMMISSION

South Coast District Office
301 E Ocean Blvd., Suite 300
Long Beach, CA 90802-4302
(562) 590-5071



W9a

5-21-0230 (Forbes)

OCTOBER 13, 2021

EXHIBITS

Table of Contents

EXHIBIT NO. 1 – LOCATION MAP	2
EXHIBIT NO. 2 – EXISTING SITE PLAN	3
EXHIBIT NO. 3 – PROPOSED SITE PLAN.....	4
EXHIBIT NO. 4 – OVERLAY SITE PLAN	5

Exhibit No. 1 – Location Map

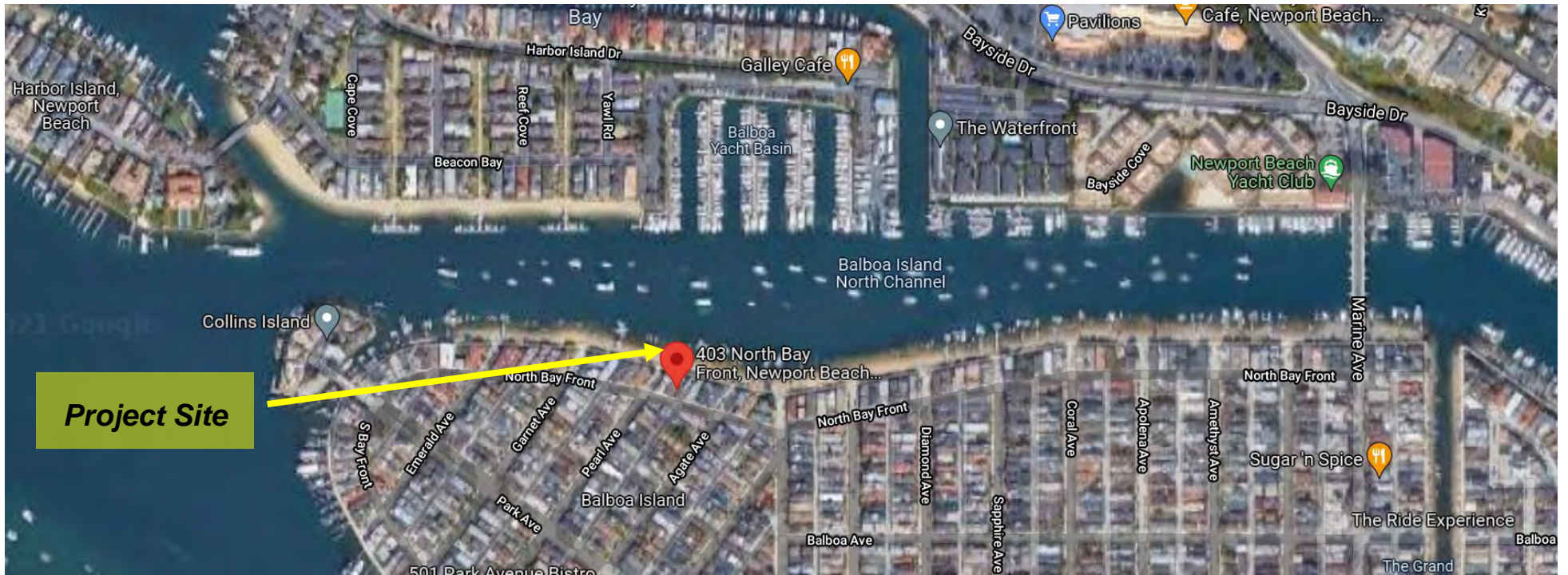


Exhibit No. 2 – Existing Site Plan

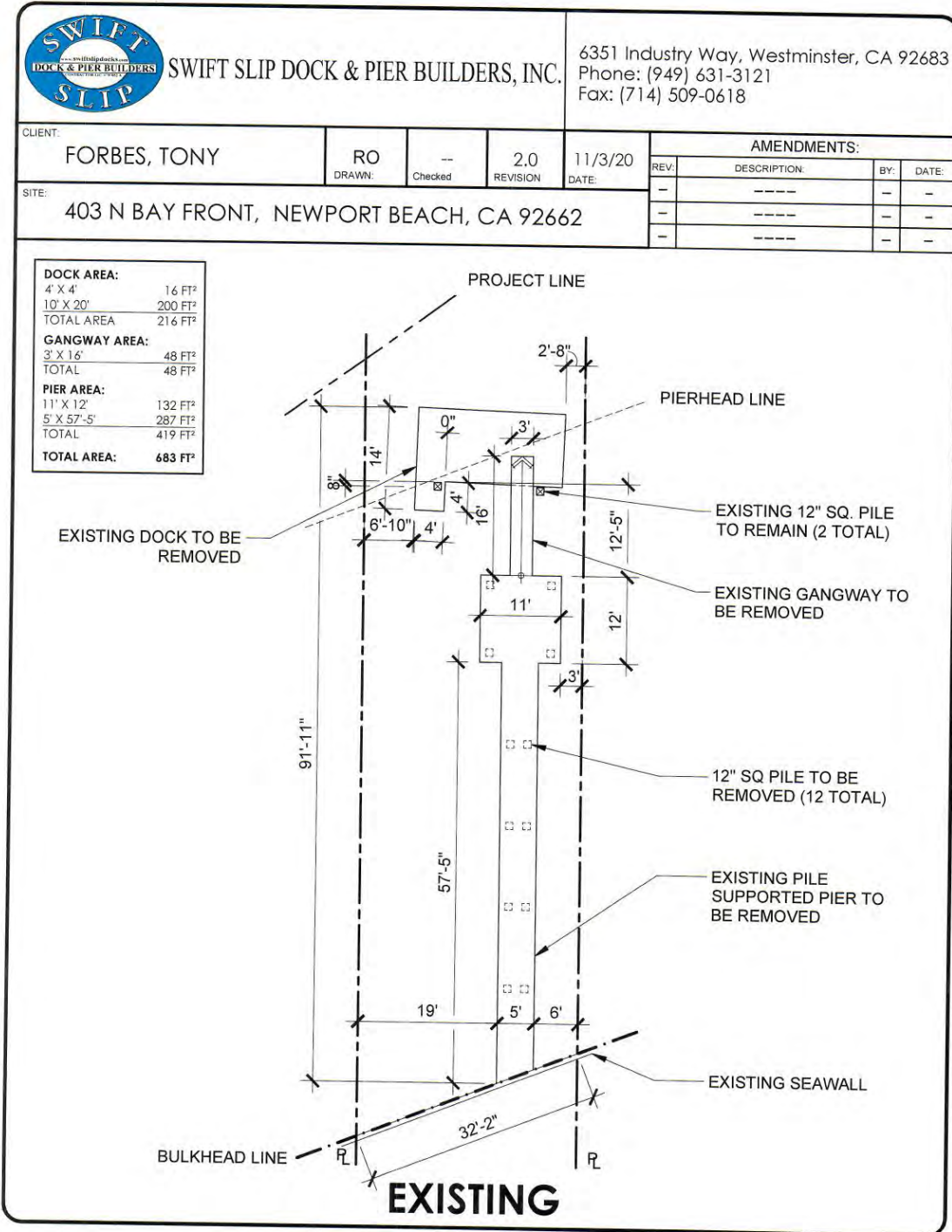


Exhibit No. 3 – Proposed Site Plan

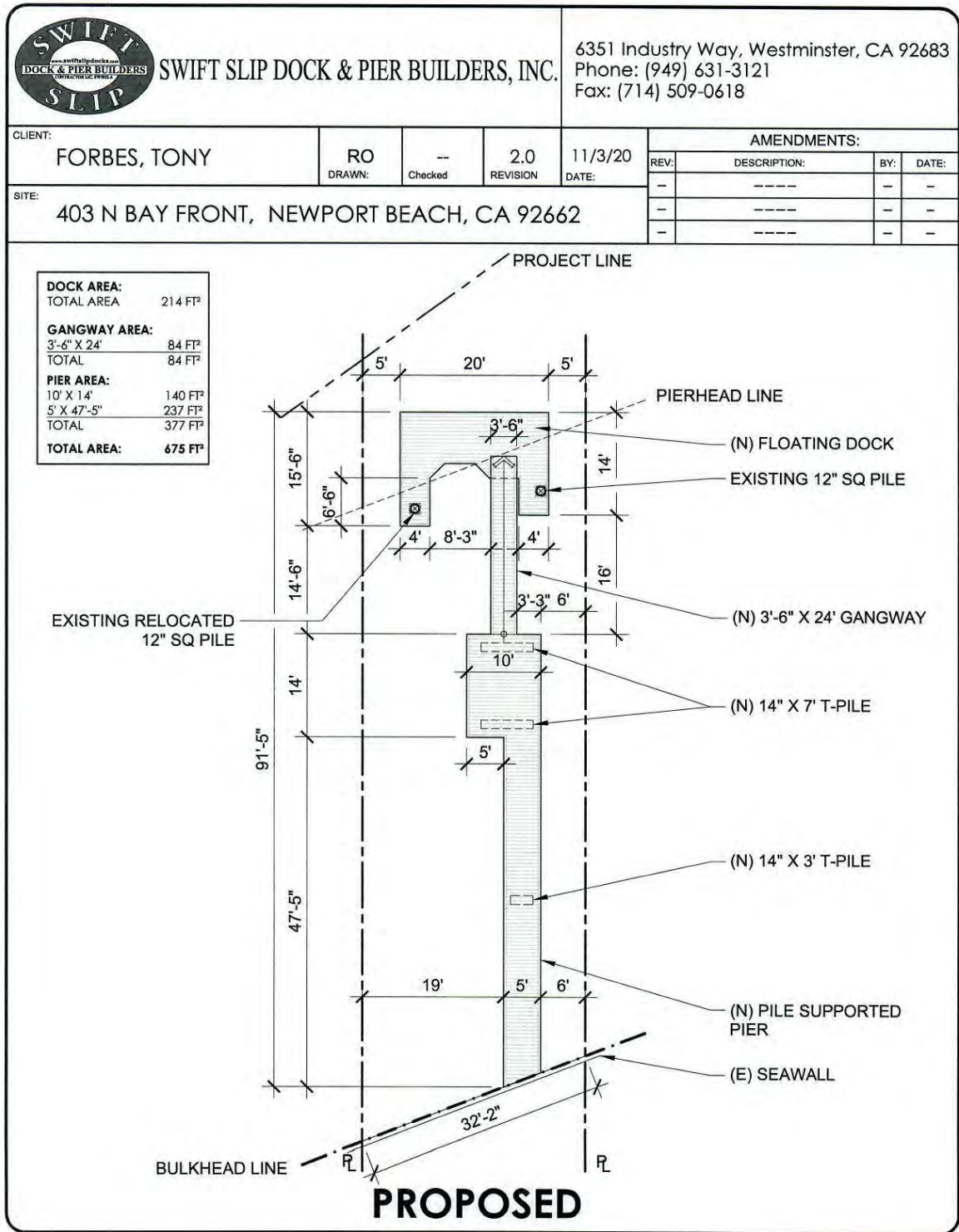


Exhibit No. 4 – Overlay Site Plan

