

CALIFORNIA COASTAL COMMISSION

SOUTH COAST DISTRICT OFFICE
301 E. OCEAN BLVD, SUITE 300
LONG BEACH, CA 90802
VOICE (562) 590-5071
FAX (562) 590-5084



W12b

5-20-0067 (CONZELMAN)

FEBRUARY 25, 2021

EXHIBITS

Table of Contents

EXHIBIT 1—VICINITY MAP..... 2

EXHIBIT 2—PROJECT LOCATION..... 3

EXHIBIT 3—PROJECT PLANS..... 4

EXHIBIT 4—FIGURE 6 FROM EELGRASS SURVEY..... 6

Exhibit 1—Vicinity Map

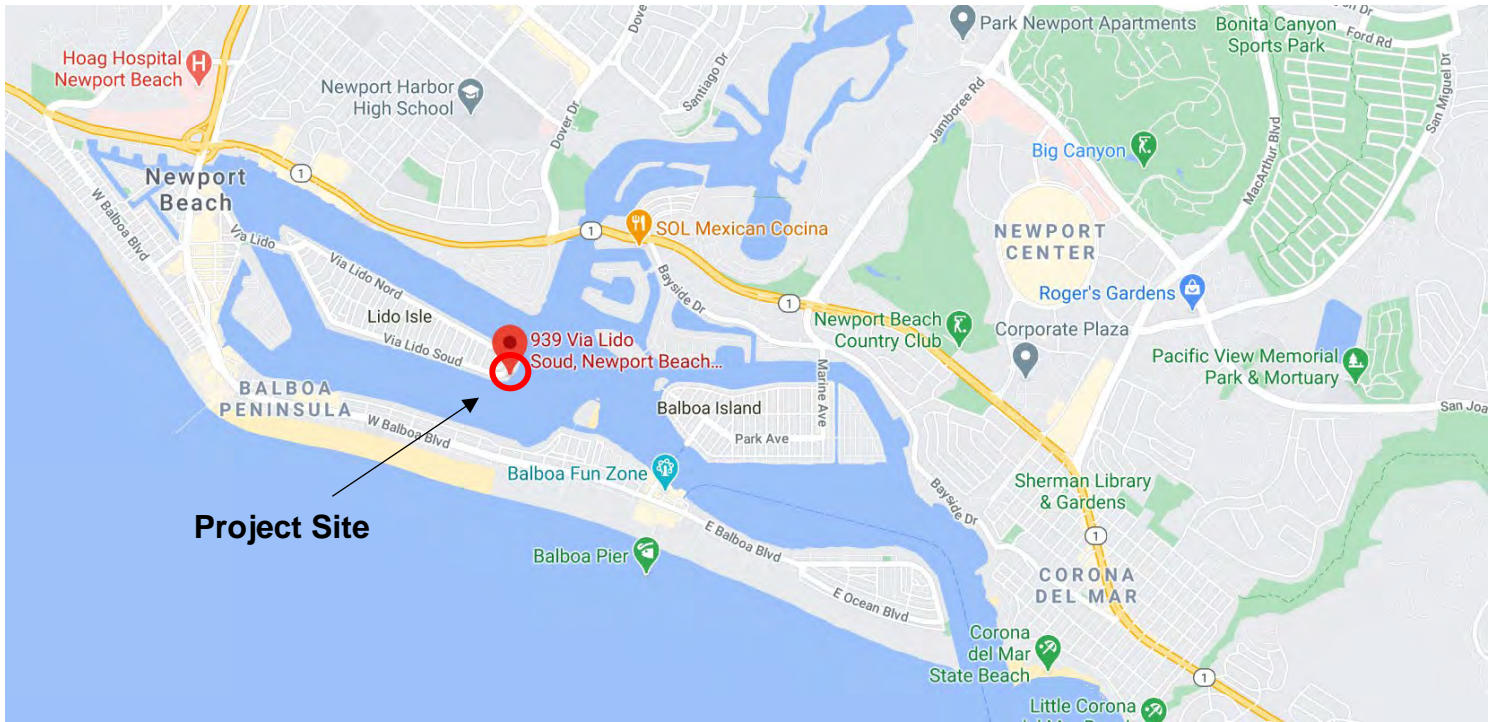
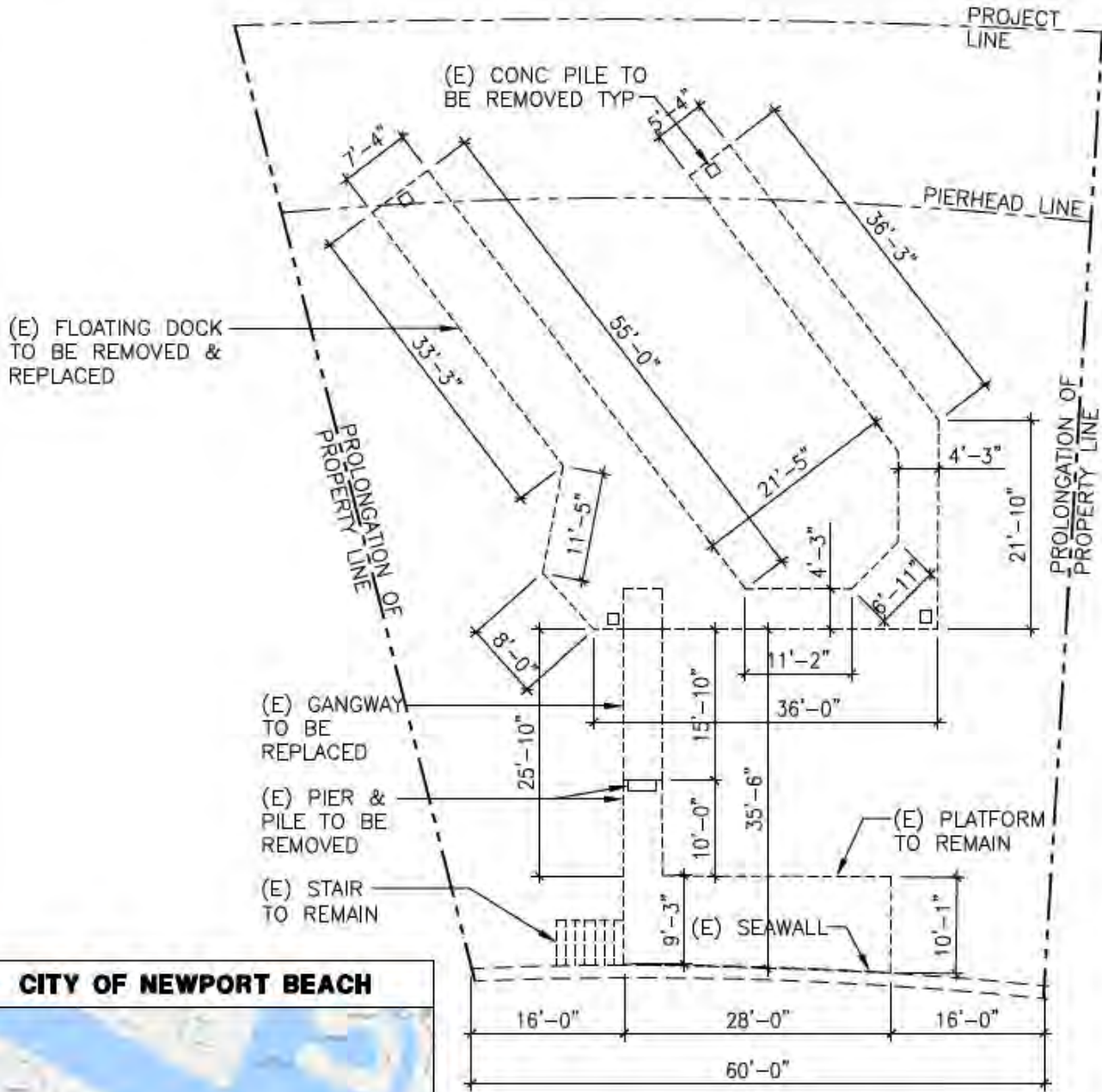


Exhibit 2—Project Location



Exhibit 3—Project Plans



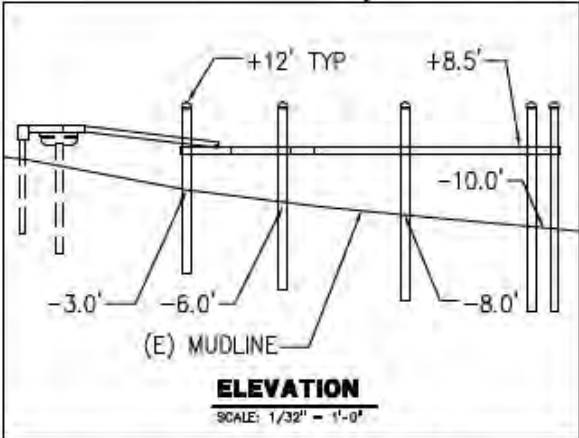
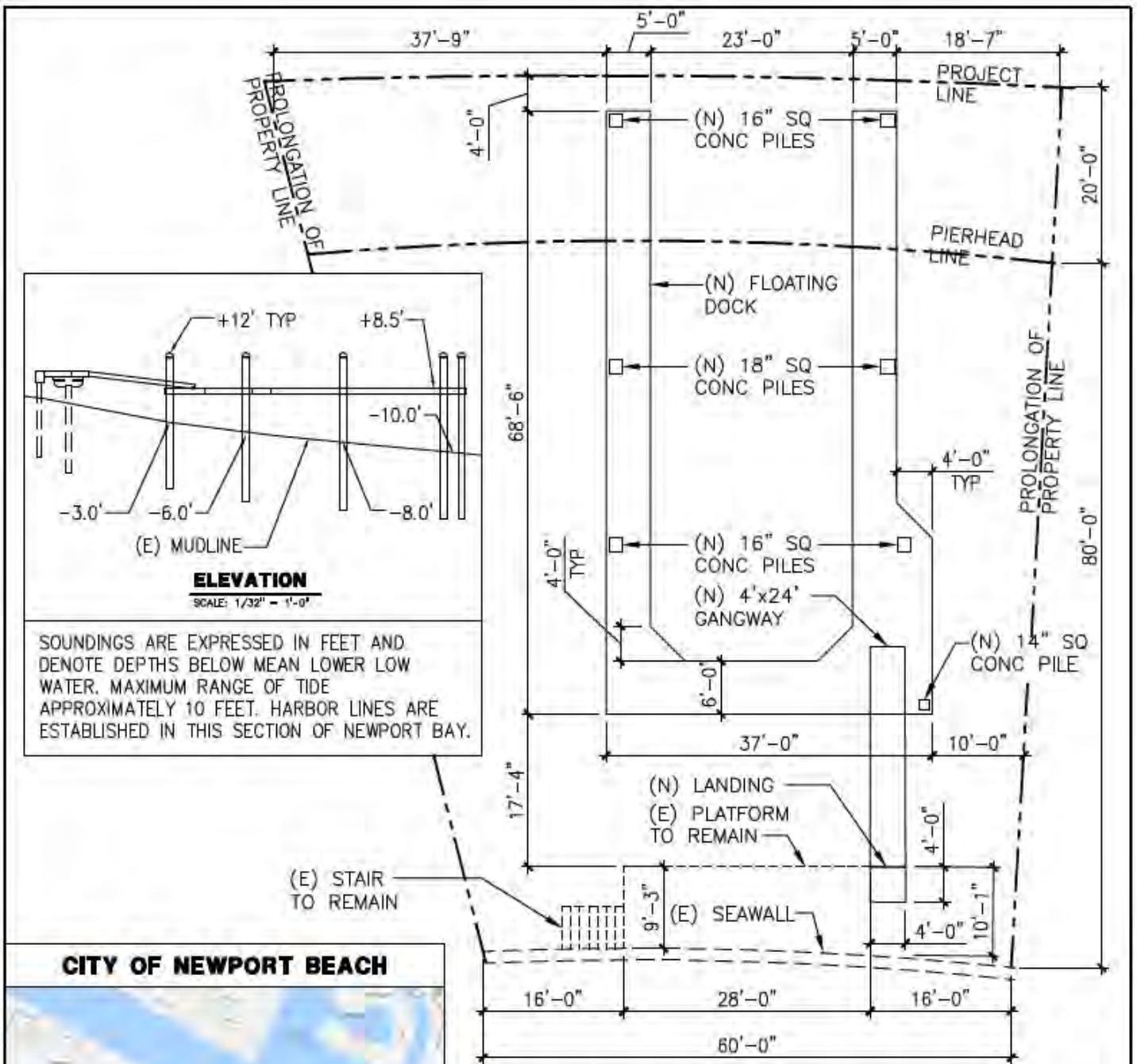
TOTAL PROJECTED AREA OF EXISTING PLATFORM, PIER, GANGWAY AND FLOATING DOCK = 1270 SQ FT

DOCK = 897.0 SQ FT
 GANGWAY = 63.0 SQ FT
 PIER & PLATFORM = 310.0 SQ FT
 TOTAL = 1270 SQ FT



EXISTING DOCK LAYOUT
 SCALE: 3/4"=1'-0"

OWNER : Mark Conzelman	LOT	BLOCK
JOB ADDRESS : 939 Via Lido Soud NEWPORT BEACH, CA 92663	CONTRACTOR: SHELLMAKER, INC. 837 WEST 17th STREET COSTA MESA, CA 92627	DATE : 07/15/20



SOUNDINGS ARE EXPRESSED IN FEET AND DENOTE DEPTHS BELOW MEAN LOWER LOW WATER. MAXIMUM RANGE OF TIDE APPROXIMATELY 10 FEET. HARBOR LINES ARE ESTABLISHED IN THIS SECTION OF NEWPORT BAY.



TOTAL PROJECTED AREA OF EXISTING PLATFORM, NEW GANGWAY, LANDING AND NEW FLOATING DOCK = 1279 SQ FT

DOCK = 927.0 SQ FT
 GANGWAY = 70.0 SQ FT
 PLATFORM & LANDING = 282.0 SQ FT
 TOTAL = 1279 SQ FT

PROPOSED DOCK LAYOUT
 SCALE: 3/4"=1'-0"

OWNER : Mark Conzelman	LOT	BLOCK
JOB ADDRESS : 939 Via Lido Soud NEWPORT BEACH, CA 92663	CONTRACTOR: SHELLMAKER, INC. 837 WEST 17th STREET COSTA MESA, CA 92627	DATE : 07/15/20

Exhibit 4—Figure 6 from Eelgrass and Caulerpa Survey

939 Via Lido Soud
 Essential Fish Habitat
 Survey and Report
 October 5, 2020



Figure 6. 2020 Survey Map for 939 Via Lido Soud