

CALIFORNIA COASTAL COMMISSION

South Coast District Office
301 E Ocean Blvd., Suite 300
Long Beach, CA 90802-4302
(562) 590-5071



F5b

5-21-0078 (County of Los Angeles)

June 11, 2021

EXHIBITS

Table of Contents

EXHIBIT 1 – VICINITY MAP AND PROJECT SITE	2
EXHIBIT 2 – PROJECT PLAN AND SITE /SECTION PLAN.....	4

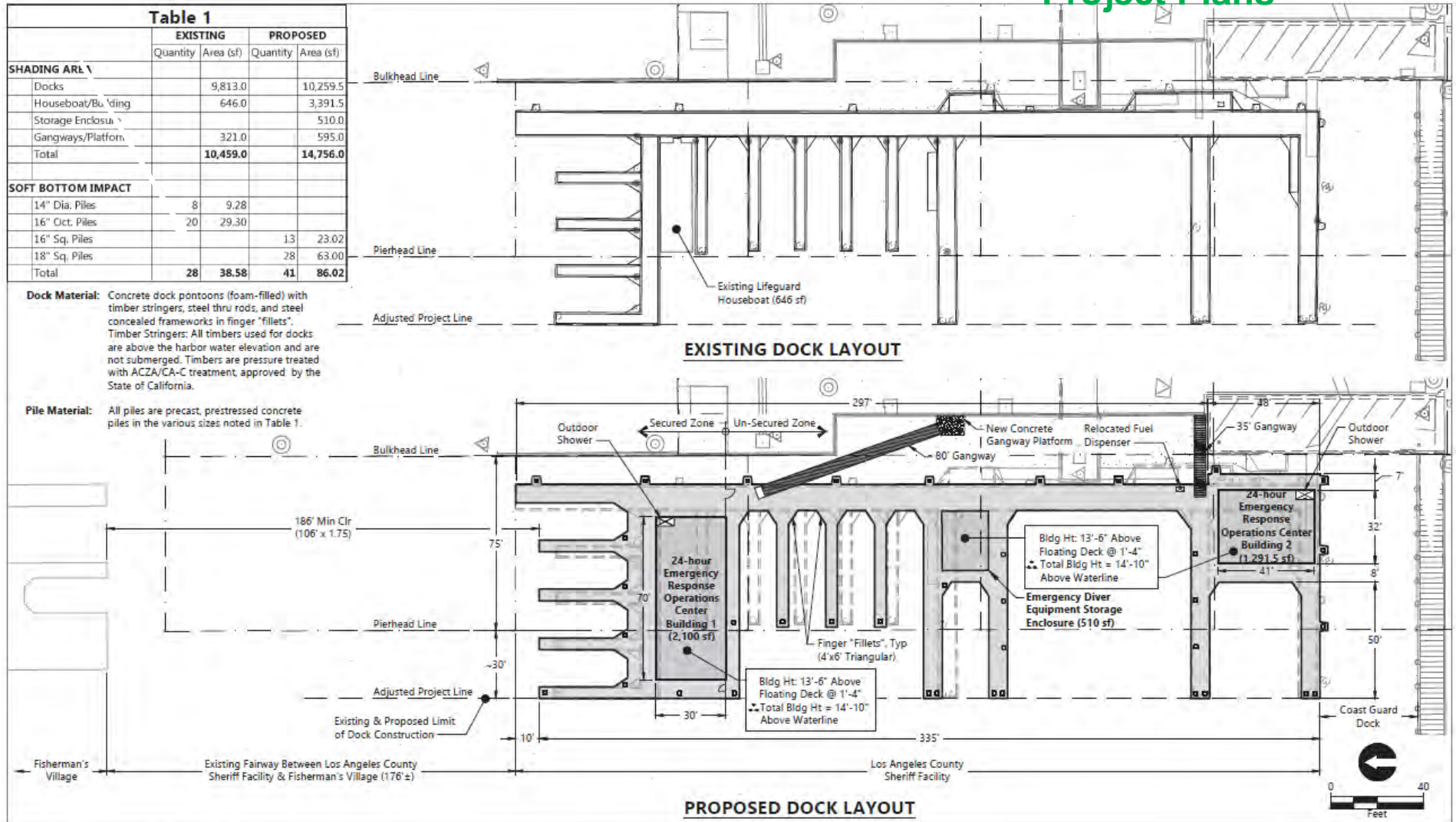
Exhibit 1 – Location Map





Exhibit 2 – Project Plans and Site/Section Plan

Project Plans

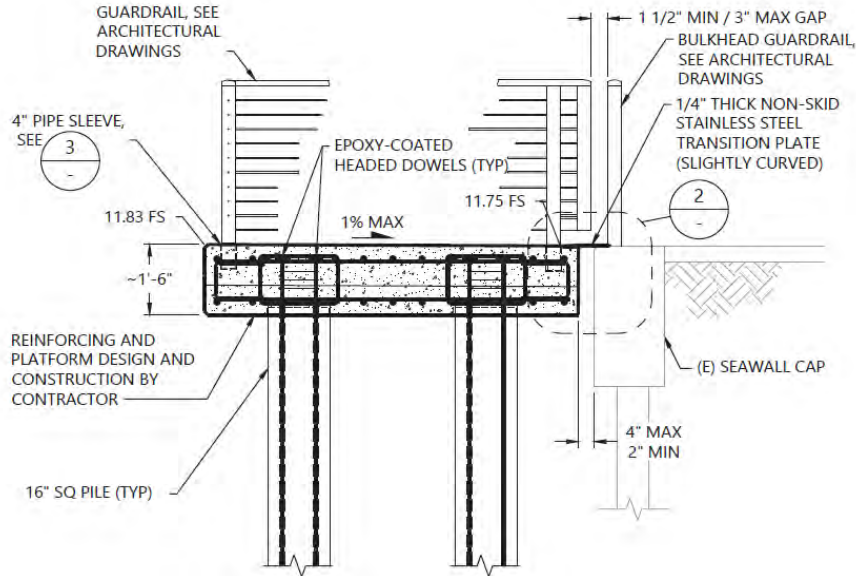


Plot Date: 2/18/11 10:53:16 AM | User: m302010
 File Path: c:\Users\CAD Project Files\Project\1544_Langdon Wilson\DWG\1544_RP_007_Compensation.dwg Fig 2



Figure 2
 Layout Comparison
 Marina del Rey Public Safety Dock Replacement Project

Gangway Pier Platform Section Plan



Site Plan

